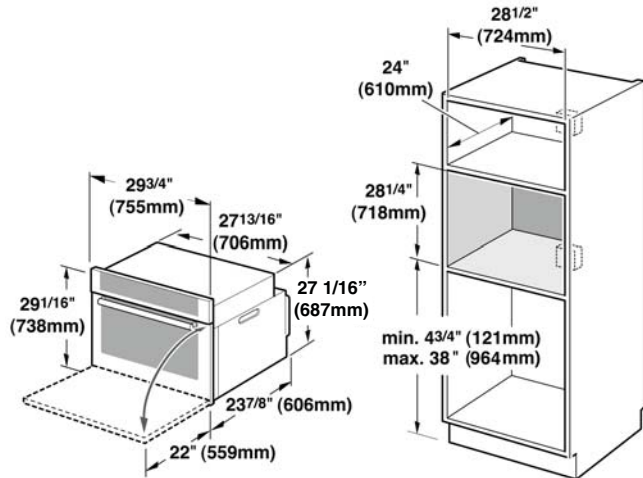


Dimensions for 30" Wall-Mounted Units

Single Oven 30"



It is good practice, when oven is installed at the end of a cabinet run, adjacent to a perpendicular wall or cabinet door, to allow at least 1/4" space between the side of the oven and the wall/door.

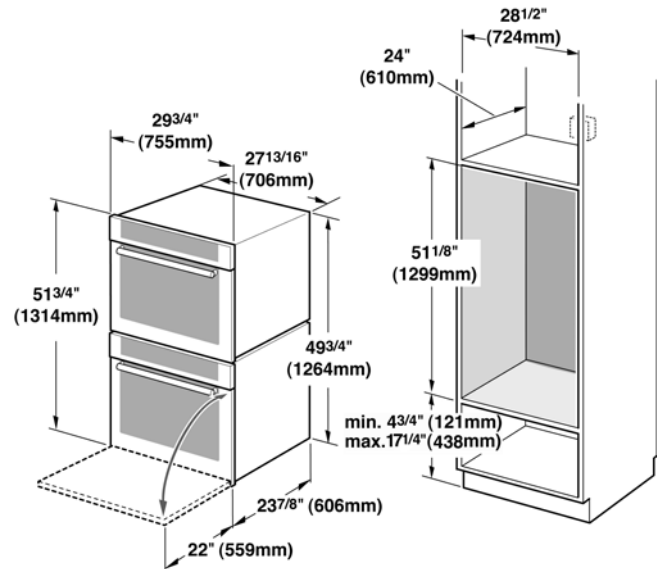
For oven support, install 2x4's extending front to back flush with the bottom and the side of the opening. The supporting base must be well secured to the floor/cabinet and level.

Note:

The conduit box must be installed either above or below the unit. If the conduit box is installed below the unit, a 2" diameter hole or space is required between the back wall and the right rear of the 2x4 supports.

The cabinet base must be flat and capable of supporting a weight of at least 212 lbs (96 kg).

Double Oven 30"



It is good practice, when oven is installed at the end of a cabinet run, adjacent to a perpendicular wall or cabinet door, to allow at least 1/4" space between the side of the oven and the wall/door.

For oven support, install 2x4's extending front to back flush with the bottom and the side of the opening. The supporting base must be well secured to the floor/cabinet and level.

Note:

The conduit box must be located above the unit to facilitate connecting and servicing.

The cabinet base must be flat and capable of supporting a weight of at least 390 lbs (177 kg).